

SPECIFICATIONS



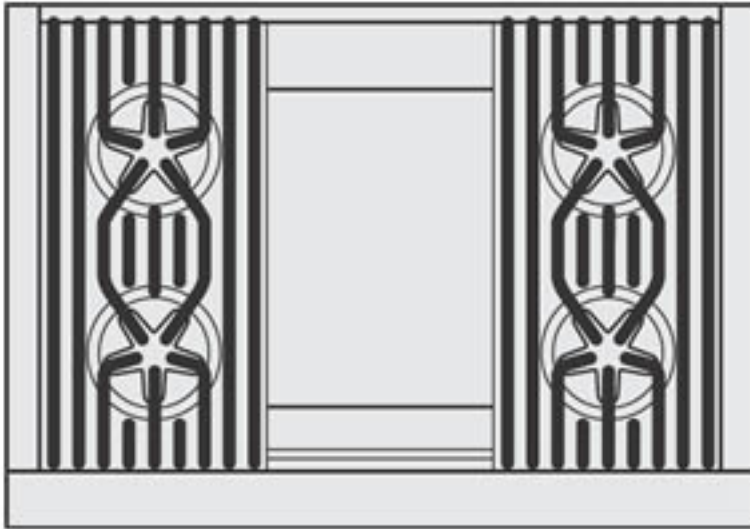
PDR364GLZS **36" Dual-Fuel Range with 4 Star Burners & Grill**

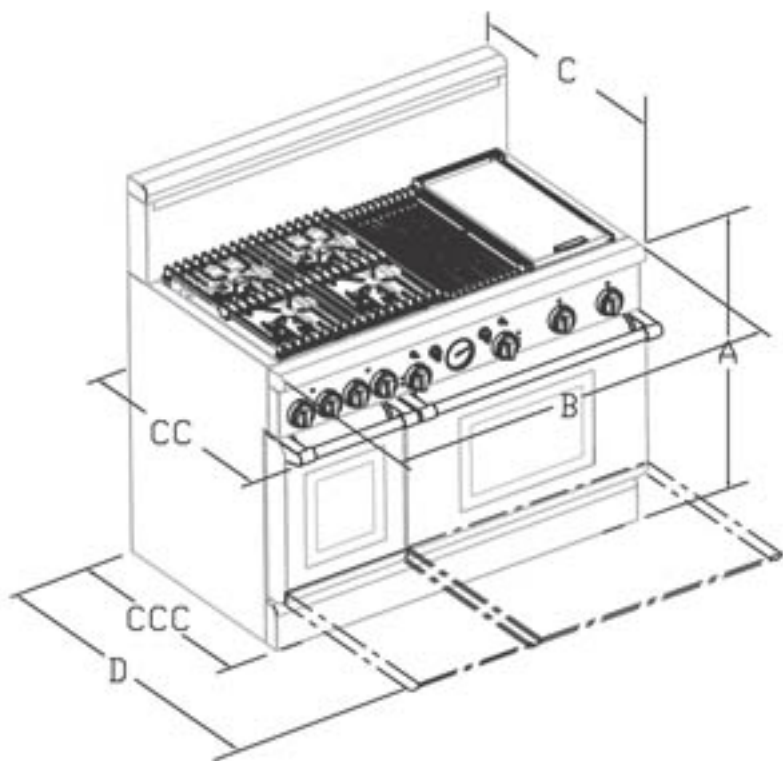
Appearance	
Stainless Steel 304 Series #4 Brush	✓
Two ExtraLow® Burners	✓
Porcelan Enamel Cast-Iron Continuous Grate	✓
Oven Cavity (Cubic Feet)	5.1
Number of Sealed Star™ Burners	4
18,000 BTU/HR. Radiant Baffle Grill	✓
Oven Performance	
Electronic Thermostat Control Self-Cleaning Oven	✓
Third Element Convection Bake (2750 Watts)	✓
Hidden Bake Element (2400 Watts)	✓
Electronic Control Broiling (4000 Watts)	✓
Convenience	
Rack Positions	5
Number of Racks	3
Porcelain-Coated Rack Supports	✓
Broiler Pan and Grid	✓
Removable Doors	✓
L.P. Convertible (CTLPKIT)*	✓
General Information	
120/240 Volts or 120/208 Volts, 4 Wire, 60 HZ, Single Phase	✓
AMPS	35
Approximate Shipping Weight - LBS.	408
Maximum BTU/HR. ††	78000
Maximum Ovens KW.	6.8
Dimensions	
Overall Dimensions - A**	35 3/8 to 36 3/4
Overall Dimensions - B	35 7/8
Overall Dimensions - C†	29
Overall Dimensions - CC	32
Overall Dimensions - CCC	27 1/4
Overall Dimensions - D	46 1/2
Useable Oven Interior Dimensions - Height	13 3/4
Useable Oven Interior Dimensions - Width	24 5/8
Useable Oven Interior Dimensions - Depth	19 1/2
Secondary Oven Interior Dimensions - Height	N/A
Secondary Oven Interior Dimensions - Width	N/A
Secondary Oven Interior Dimensions - Depth	N/A
22" High Back Shelf Model Number*	HS36R

12" Low Back Guard Model Number*	LB36R
9" Back Guard Model Number	N/A
Island Trim Model Number*	IT36R

Accessories			
Model #	Name	Shipping Weight	MSRP
GRIDDLE	Griddle	9 lbs	\$169.00
CHOPBLOCK	Maple Chopping Board	2 lbs	\$49.00
PGRILLCOV	Grill Cover	2 lbs	\$69.00
HS36R	22" High Shelf for 36" Range	70 lbs	\$339.00
LB36R	12" Low Back Guard for 36" Range	49 lbs	\$199.00
CTLPKIT	Star Burner Conversion Kit	2 lbs	\$59.00
IT36R	Island Trim for 36" Range	24 lbs	\$129.00

Overall Dimensions





* Available, order separately.

Notes: All height, width and depth dimensions are shown in inches. 2) Oven doors and control knobs can be removed for doorway clearance.

** Height without back guard or high shelf. *** Please refer to installation instructions prior to making cutout.

† Measured to front of control panel bullnose. †† BTU/Hr. includes surface burners and the oven. ††† PRG364GDUS W/S.S. Construction Griddle.

For immediate critical installation dimensions by fax, use your fax handset and call (775) 833-3600. Use code #8030 for a directory of Thermador® products.

Ranges and cooktops are CGA and AGA approved.